

Fostex®

FULL RANGE SPEAKER UNIT

FE168EΣ

Features

- HP (Hyperbolic Paraboloid) shell diaphragm
- 'ES cone' paper made of banana plant's fiber
- UDR tangential edge / damper
- ø 120mm large ferrite magnet

Specifications

&

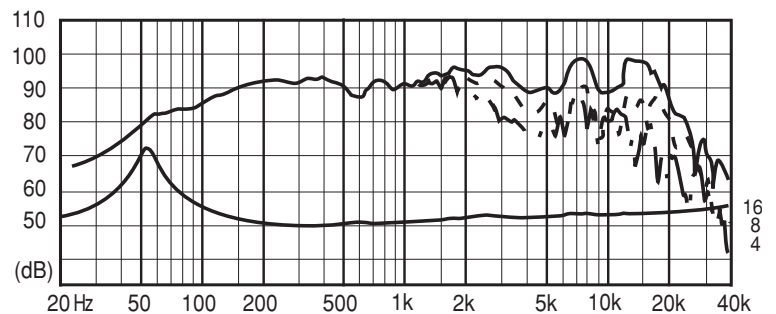
Thiele/Small Parameters

Size	:	160 mm / 6.5 in
Voice Coil Diameter	:	30 mm / 1.2 in
Cast / Stamped	:	Cast
Impedance	:	8 Ω
Reproduction Frequency Response	:	fs - 21 kHz
Sound Pressure Level	:	94.5 dB/W(m)
Rated Input	:	27 W
Music Power	:	80 W
Magnet Material	:	Ferrite
Magnet Weight	:	
(main)	:	721 g / 1.590 lb
(cancel)	:	g / lb
Net Weight	:	2,600 g / 5.732 lb

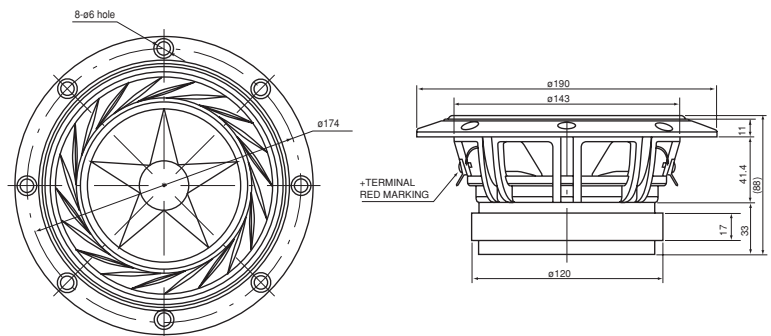
a	:	60 mm
D	:	106 mm
Sd	:	0.0113 m ²
Zn	:	8 Ω
Fs	:	51 Hz
Re	:	6.8 Ω
Le	:	0.056 mH
Qms	:	5.328
Qes	:	0.27
Qts	:	0.26
Mms	:	8.7 g
BL	:	8 Telsa/m
Vas	:	23.7 L
Xmax	:	1.6 mm
Eff/η0	:	0.9 %
Cms	:	1.278 mm/N
EBP	:	188.89



Frequency Response / Impedance



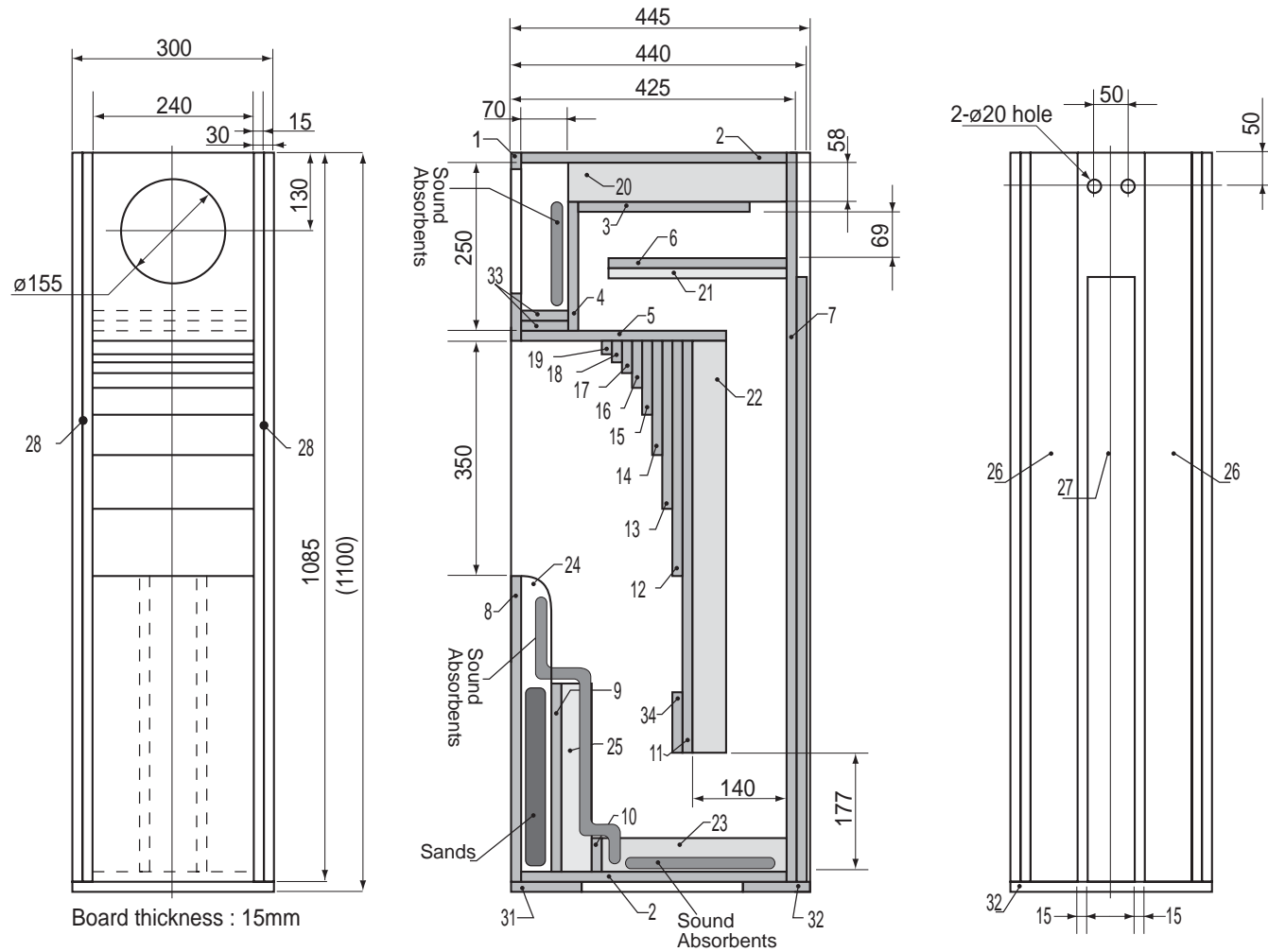
Dimensions & Mounting Information



Overall Diameter	:	190 mm / 7.5 in
Baffle Hole Diameter	:	143 mm / 5.6 in
Depth	:	88 mm / 4.0 in

FE168EΣ

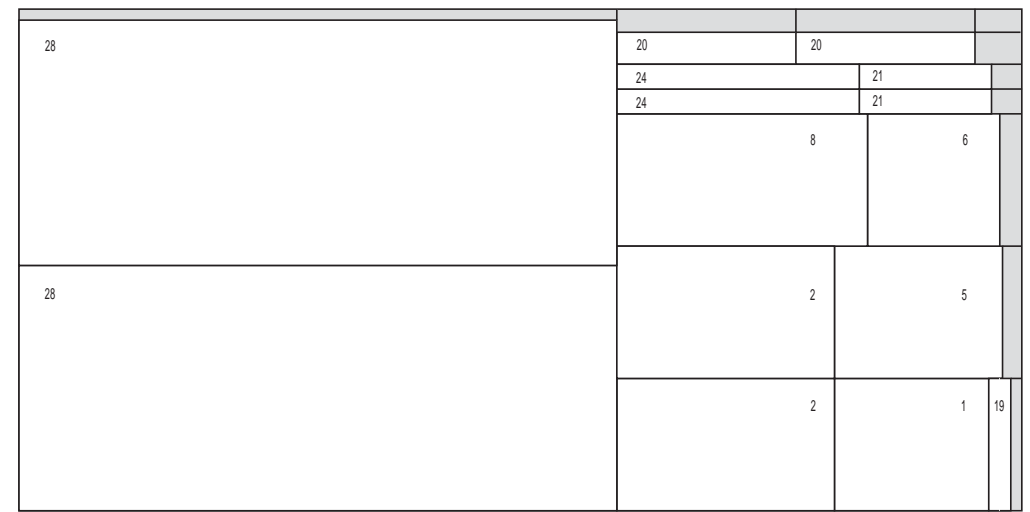
Recommended Back Loaded Horn Type Enclosure



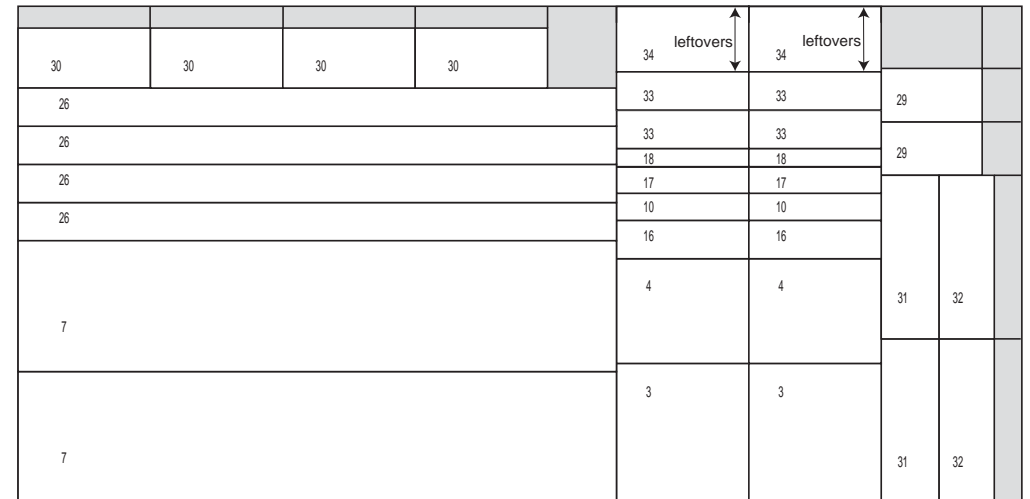
- This box plan is the full-fledged back loaded horn enclosure for FE168Esigma.
- The box realizes no stress reproduction from 50Hz to 20kHz with single FE168Esigma.
- Well tuned low frequency realizes tight and massive sound with perceptible fast response.
- Effectively downscaled baffle size realizes prior sound field and image localization, and ensures FE168Esigma's dynamic sound with abundance of energy.

Cutting Size Chart (1set, unit:mm)

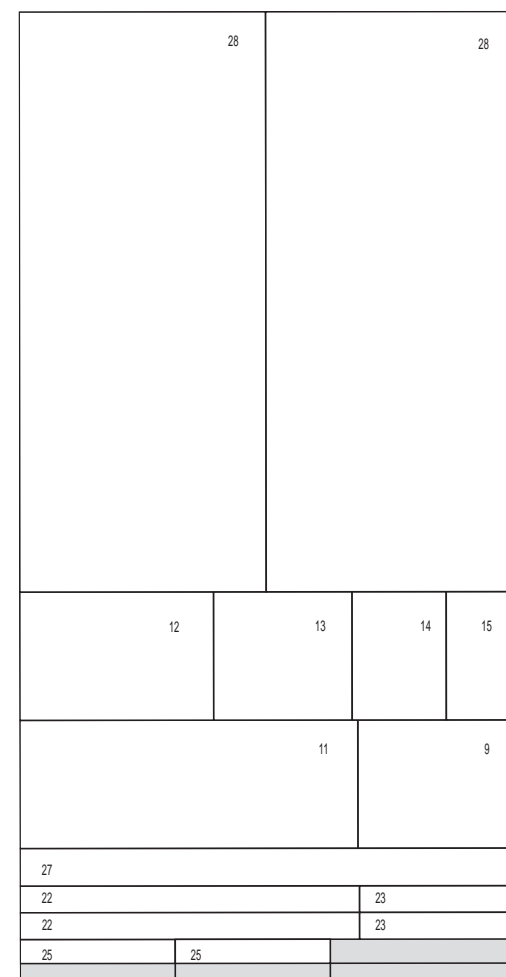
No.	Size (W x H)	Qty	No.	Size (W x H)	Qty
1	240 x 280	1	18	240 x 32	1
2	240 x 395	2	19	240 x 20	1
3	240 x 255	1	20	325 x 58	2
4	240 x 192	1	21	240 x 45	2
5	240 x 305	1	22	613 x 50	2
6	240 x 240	1	23	275 x 50	2
7	240 x 1085	1	24	440 x 45	2
8	240 x 455	1	25	280 x 45	2
9	240 x 280	1	26	1085 x 70	2
10	240 x 50	1	27	900 x 70	1
11	240 x 613	1	28	1085 x 445	4
12	240 x 350	1	29	183 x 98	1
13	240 x 250	1	30	240 x 110	2
14	240 x 170	1	31	300 x 105	1
15	240 x 110	1	32	300 x 100	1
16	240 x 70	1	33	240 x 70	2
17	240 x 48	1	34	240 x (90)	1



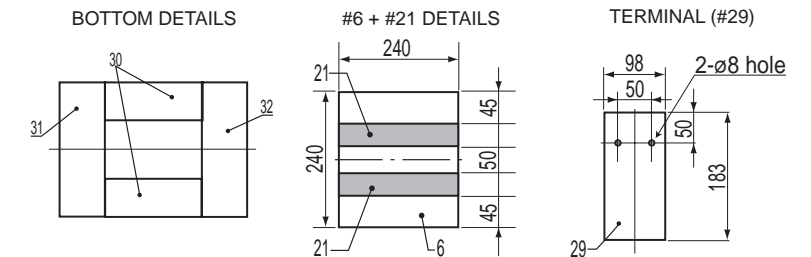
x 2pcs



x 1pc



x 2pcs



Frequency Response

